

KYTOLA Oval Gear Meter Model 6210 is designed for measuring and monitoring of corrosive and viscous liquids.

The model 6210 oval gear meter is a positive displacement flow meter, which always shows the correct flow rate regardless of liquid temperature and viscosity changes.



- For liquid
- Several flow ranges
- Max. 30 L/min
- Large viscosity range 30 – 1000 cSt
- ATEX version (II 2GD c TX) as option



OVAL GEAR METER 6210

The flow meter consists of two elliptical gears, which the flow rotates. An inductive proximity sensor picks up the rotation, and the pulse signal can be transferred to indicators, counters or automation systems.

FEATURES

Independent of viscosity and temperature changes

Chemical resistant materials

Pulse output

TYPICAL APPLICATIONS

Chemical dosing

Industrial flow monitoring

Process control

OPTIONS

Alternative materials

Thread adapters

Alternative sensors

Model	6210-1	6210-2	6210-4	6210-10	6210-20	6210-30
Output pulses/liter	820	450	290	126.8	75.8	49.8
Weight	330 g	350 g	360 g	930 g	1.0 kg	1.2 kg
Connections	1/4"	1/4"	1/4"	3/4"	3/4"	3/4"
Gears	PVDF					
Body	PVDF or PVC					
Shafts	Hastelloy C					
Seals	Viton® (*EPDM)					
Sensor	Namur; DIN 19234 (*Other types of inductive proximity sensor)					
Max. pressure	10 bar					
Max. temperature	+80°C (PVDF body), +40°C (PVC body)					
Viscosity range	30 – 1000 cSt					
Accuracy	±5 % of reading					

* Special construction on request

6210 ■ - ■ - ■ - ■ ■ ■

Flow Range		
0.1 – 1 L/min	1	
0.2 – 2 L/min	2	
0.4 – 4 L/min	4	
1 – 10 L/min	10	
2 – 20 L/min	20	
3 – 30 L/min	30	

Body	
PVDF	K
PVC	P

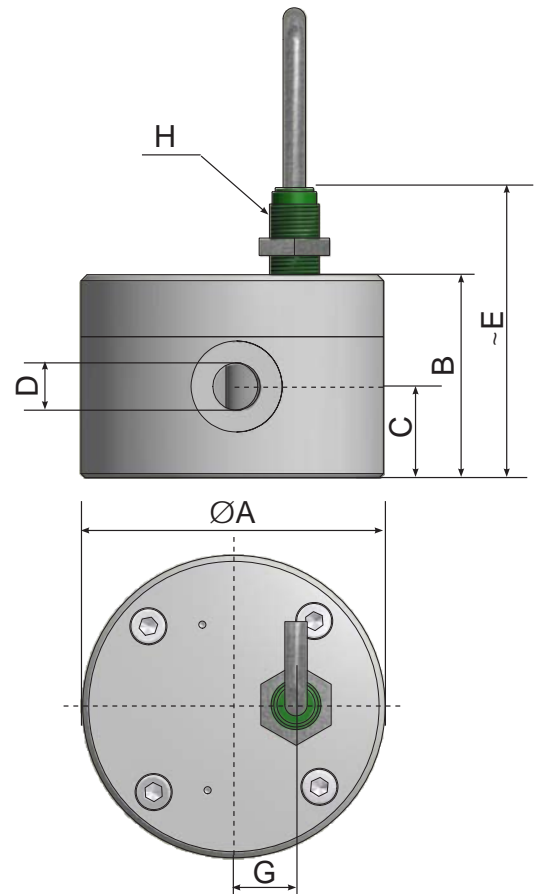
Connections	
BSP threads	blank
NPT thread adapters	N

Seals	
Viton	blank
EPDM	Y

Sensor	
NAMUR sensor	blank
Without sensor (M12 x 1 thread)	D
PNP-NPN sensor (2-wire)	F
PNP sensor (3-wire)	P
NPN sensor (3-wire)	T

Special Feature	
ATEX version	Z

Standard feature: leave *blank*
 Special feature: choose Character



	A	B	C	D	E	G	H
6210-1	73	45	18	BSP 1/4"	90	15	M12x1
6210-2	73	45	18	BSP 1/4"	90	15	M12x1
6210-4	73	49	22	BSP 1/4"	94	15	M12x1
6210-10	108	67	27	BSP 3/4"	105	25	M12x1
6210-20	108	67	27	BSP 3/4"	105	25	M12x1
6210-30	108	87	27	BSP 3/4"	125	25	M12x1

