

KYTOLA® Model H Variable Area Flow Meter is an industrial flow meter.

It comes with an injection molded impact resistant flow tube with threaded or socket type connections.



- For liquid or gas
- Good corrosion resistance
- Threaded or socket type connections
- Scales up to 22 m³/h H₂O
14 Nm³/min air

ISO 9001:2008 ISO 14001:2004

FLOW METER HV, HK, HT

Model H is a reliable instrument for measuring and monitoring liquid and gas flows.

FEATURES

- Low cost
- Large variety of flow ranges

TYPICAL APPLICATIONS

- Process industry
- Chemical industry
- Water treatment plants
- Flow measurement in PVC piping
- General liquid and gas measurement

OPTIONS

- Scales for alternative liquids and gases
- Special scale markings
- Viton® or EPDM seals
- Low and high flow alarm

| | | |
|-------------------------|--|----------------------------------|
| Model | HV | |
| Connection size | BSP/NPT 1/2" or 20 mm socket | |
| Weight | 120 g | |
| Max. pressure | 10 bar at 20°C (*10 bar at 80°C) | |
| Max. temperature | 50°C at 2 bar (*120°C at 2 bar) | |
| Flow tube | Grilamid (PA-12) (*PES) | |
| Connectors | PVC (*AISI 316, PVDF) | |
| Float | AISI 329 or AISI 329/PTFE (depending on range) | |
| Seals | Nitrile (*Viton®, EPDM) | |
| Accuracy | ±5% F.S. (H ₂ O +20°C) | *Special construction on request |

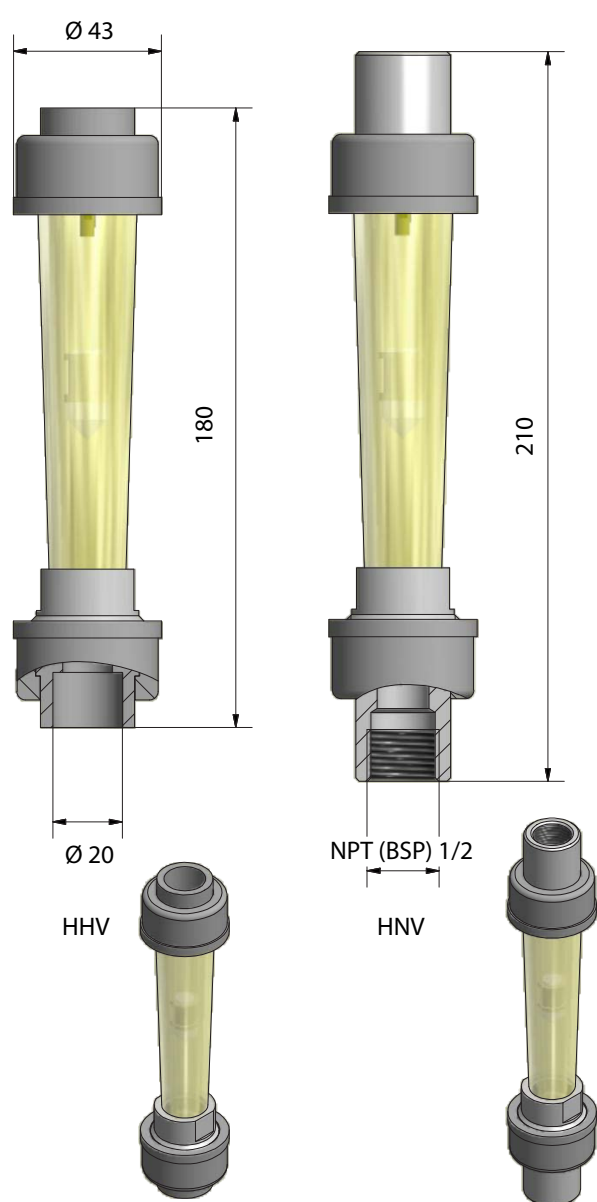
| Connections | | H | V | - | - |
|--------------------------------|--------------|---|---|---|---|
| Without PVC connectors | <i>blank</i> | | | | |
| Socket type connections, Ø20mm | | H | | | |
| NPT 1/2" connections | | N | | | |
| BSP 1/2" connections | | R | | | |

| Flow Range | | |
|------------------------------------|--------------------------|----|
| H ₂ O m ³ /h | Air Nm ³ /min | |
| 0.02 – 0.11 | 0.015 – 0.07 | 6H |
| 0.04 – 0.2 | 0.03 – 0.13 | 3H |
| 0.075 – 0.3 | 0.04 – 0.18 | 3K |
| 0.15 – 0.5 | 0.06 – 0.28 | 3L |
| 0.15 – 0.6 | 0.075 – 0.3 | 3M |
| 0.2 – 1.0 | 0.1 – 0.5 | 4D |
| 0.2 – 1.3 | 0.1 – 0.65 | 4E |
| 0.3 – 1.8 | 0.2 – 0.9 | 4F |

| Scale | | |
|---|--|---|
| H ₂ O (m ³ /h) at +20°C | | C |
| Air (Nm ³ /min) at +20°C/101.3 kPa | | S |

| Special Feature | | |
|-----------------------------------|--------------|---|
| Grilamid flow tube, nitrile seals | <i>blank</i> | |
| PES flow tube, nitrile seals | | V |
| PES flow tube, Viton® seals | | W |
| Grilamid flow tube, Viton® seals | | X |

Standard feature: leave *blank*
Special feature: choose Character



| | | |
|-------------------------|--|----------------------------------|
| Model | HK | |
| Connection size | BSP/NPT 3/4" or 25 mm socket | |
| Weight | 280 g | |
| Max. pressure | 10 bar at 20°C (*10 bar at 80°C) | |
| Max. temperature | 50°C at 2 bar (*120°C at 2 bar) | |
| Flow tube | Grilamid (PA-12) (*PES) | |
| Connectors | PVC (*AISI 316, PVDF) | |
| Float | AISI 329 or AISI 329/PTFE (depending on range) | |
| Seals | Nitrile (*Viton®, EPDM) | |
| Accuracy | ±5% F.S. (H ₂ O +20°C) | *Special construction on request |

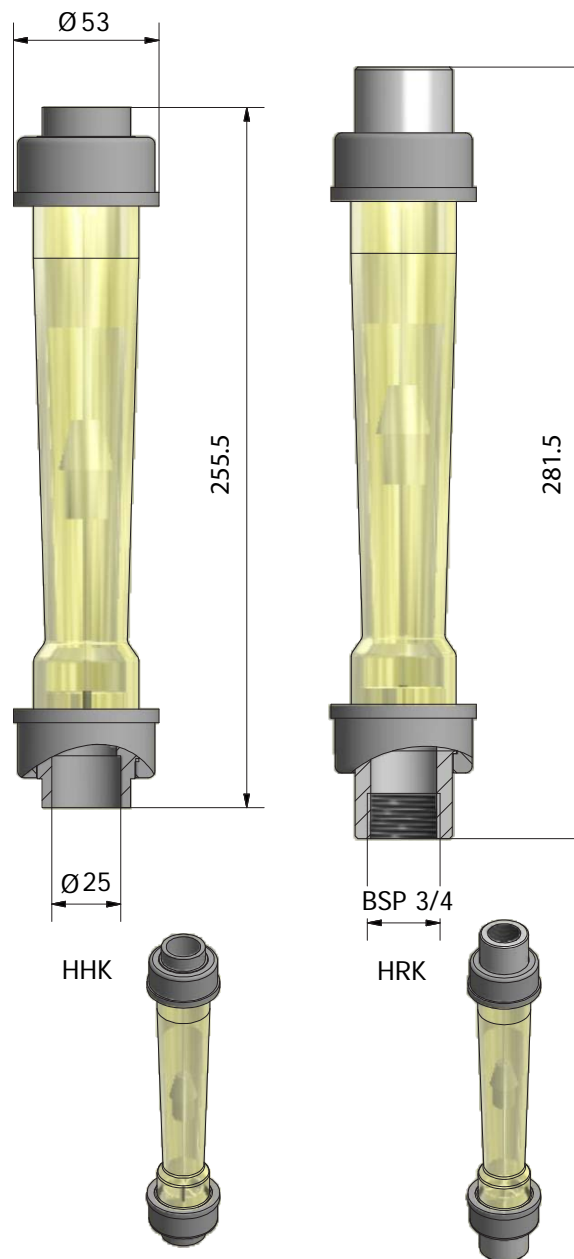
| Connections | | H | K- | - |
|---------------------------------|--------------|---|----|---|
| Without PVC connectors | <i>blank</i> | | | |
| Socket type connections, Ø25 mm | | H | | |
| NPT 3/4" connections | | N | | |
| BSP 3/4" connections | | R | | |

| Flow Range | | |
|------------------------------------|--------------------------|----|
| H ₂ O m ³ /h | Air Nm ³ /min | |
| 0.3 – 1.2 | 0.14 – 0.6 | 4F |
| 0.5 – 2 | 0.25 – 1 | 4E |
| 0.6 – 2.6 | 0.25 – 1.2 | 4A |
| 0.8 – 3.4 | 0.4 – 1.7 | 4B |
| 0.8 – 3.6 | 0.4 – 1.8 | 4C |
| 1 – 4.75 | 0.4 – 2.2 | 4D |

| Scale | | |
|---|--|---|
| H ₂ O (m ³ /h) at +20°C | | C |
| Air (Nm ³ /min) at +20°C/101.3 kPa | | S |

| Special Feature | | |
|-----------------------------------|--------------|---|
| Grilamid flow tube, nitrile seals | <i>blank</i> | V |
| PES flow tube, nitrile seals | | W |
| PES flow tube, Viton® seals | | X |
| Grilamid flow tube, Viton® seals | | |

Standard feature: leave *blank*
Special feature: choose Character



www.kytola.com

Kytola Instruments Oy
 Olli Kytölään tie 1
 FI-40950 Muurame, Finland
 Tel. +358 20 779 0690
 Fax +358 14 631 419
 E-mail info@kytola.com

| | | |
|------------------|--|----------------------------------|
| Model | HT | |
| Connection size | BSP/NPT 1 ¼" or 50 mm socket | |
| Weight | 980 g | |
| Max. pressure | 10 bar at 20°C (*10 bar at 80°C) | |
| Max. temperature | 50°C at 2 bar (*120°C at 2 bar) | |
| Flow tube | Grilamid (PA-12) (*PES) | |
| Connectors | PVC (*AISI 316, PVDF) | |
| Float | AISI 329 or AISI 329/PTFE (depending on range) | |
| Seals | Nitrile (*Viton®, EPDM) | |
| Accuracy | ±5% F.S. (H ₂ O +20°C) | *Special construction on request |

| Connections | | H | T | - | - |
|---|--------------------------|---|---|---|--------------|
| Without PVC connectors | <i>blank</i> | | | | |
| Socket type connections, Ø50mm | | H | | | |
| NPT 1 ¼" connections | | N | | | |
| BSP 1 ¼" connections | | R | | | |
| Flow Range | | | | | |
| H ₂ O m ³ /h | Air Nm ³ /min | | | | |
| 0.5 – 3 | 0.35 – 2 | | | | 4E |
| 0.6 – 6.4 | 0.4 – 3 | | | | 4A |
| 0.5 – 9.5 | 0.5 – 4.25 | | | | 4F |
| 1.5 – 12 | 1 – 6 | | | | 4B |
| 2 – 18 | 1 – 8.5 | | | | 4C |
| 4 – 22 | 2 – 14 | | | | 4D |
| Scale | | | | | |
| H ₂ O (m ³ /h) at +20°C | | | | | C |
| Air (Nm ³ /min) at +20°C/101.3 kPa | | | | | S |
| Special Feature | | | | | |
| Grilamid flow tube, nitrile seals | | | | | <i>blank</i> |
| PES flow tube, nitrile seals | | | | | V |
| PES flow tube, Viton® seals | | | | | W |
| Grilamid flow tube, Viton® seals | | | | | X |
| Standard feature: leave <i>blank</i> | | | | | |
| Special feature: choose Character | | | | | |

