

KYTOLA PURGE METER

Model KPM

for water purging

- Built-in cleaner
- Alarm ready
- Freeze proof

KYTOLA® purge meter model KPM is designed for industrial water purging applications. The strong and compact design ensures maximum resistance to external impact.

The KPM has been specially optimized to withstand contaminated water. Reliable and accurate flow measurement is based on a variable area metering principle using a free-floating float.

FEATURES

- Reliable operation
- Solid construction
- Built-in cleaner does not interfere with operation
- Excellent corrosion and heat resistance
- All models are alarm-ready
- Clear metering scale
- Wall mounting bracket

OPTIONS

- Alarm sensor
- Check valve



Model KPM

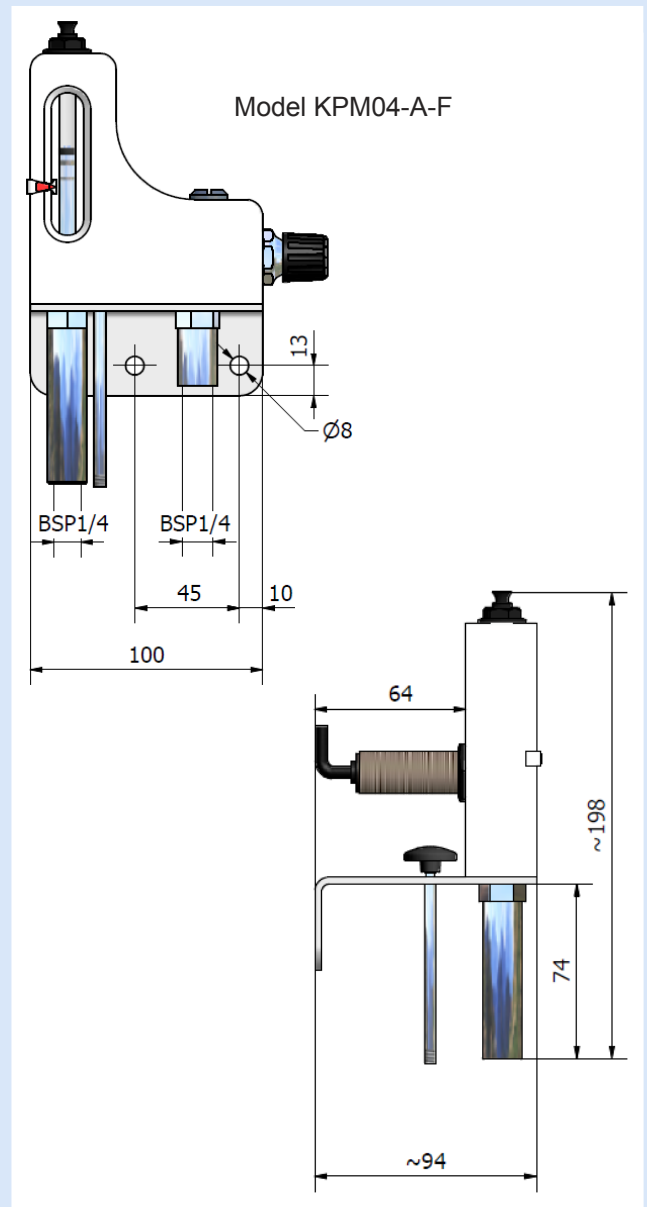
KPM

Technical data KPM



Body material	POM
Metering tube	Polysulfone (PSU)
Metallic parts	AISI 316, float AISI 329
O-ring seals	Viton®
Max. pressure	20 bar
Min. temperature	-20°C
Max. temperature	+100°C
Connections	Female threads or compression fittings for straight tube
Weight	1,2 kg incl. package

KPM	-	-	-
ACCESSORIES			
A	Ind. prox. sensor 20 - 250 VAC/DC (ILK-M18-AB)		
F	Ind. prox. sensor 10 - 55 VDC (ILK-M18-FR)		
I	Intrinsically safe ind. prox. sensor NAMUR (ILK-M18-N-10)		
K	PVDF body		
CV	Integral check valve on the outlet		
CONNECTORS			
A	BSP 1/4" female threads		
B	NPT 1/4" female threads		
C	10 mm compression fittings		
D	3/8" compression fittings		
RANGE CODE			
	Flowrate	Adjustable alarm range	
04	0,025 - 0,4 l/min	0,025 - 0,1 l/min	
1	0,05 - 1,0 l/min	0,1 - 0,45 l/min	
6	0,25 - 6,0 USGPH	0,4 - 1,6 USGPH	
15	1 - 15 USGPH	1,6 - 7,1 USGPH	



MANUFACTURER

Kytola
INSTRUMENTS

KYTOLA OY • Olli Kytolan tie 1
P.O. Box 5 • FI-40951 MUURAME • FINLAND
Phone +358 207 7906 90 • Fax +358 14 631 419
E-mail sales@kytola.com • www.kytola.com

LOCAL REPRESENTATIVE